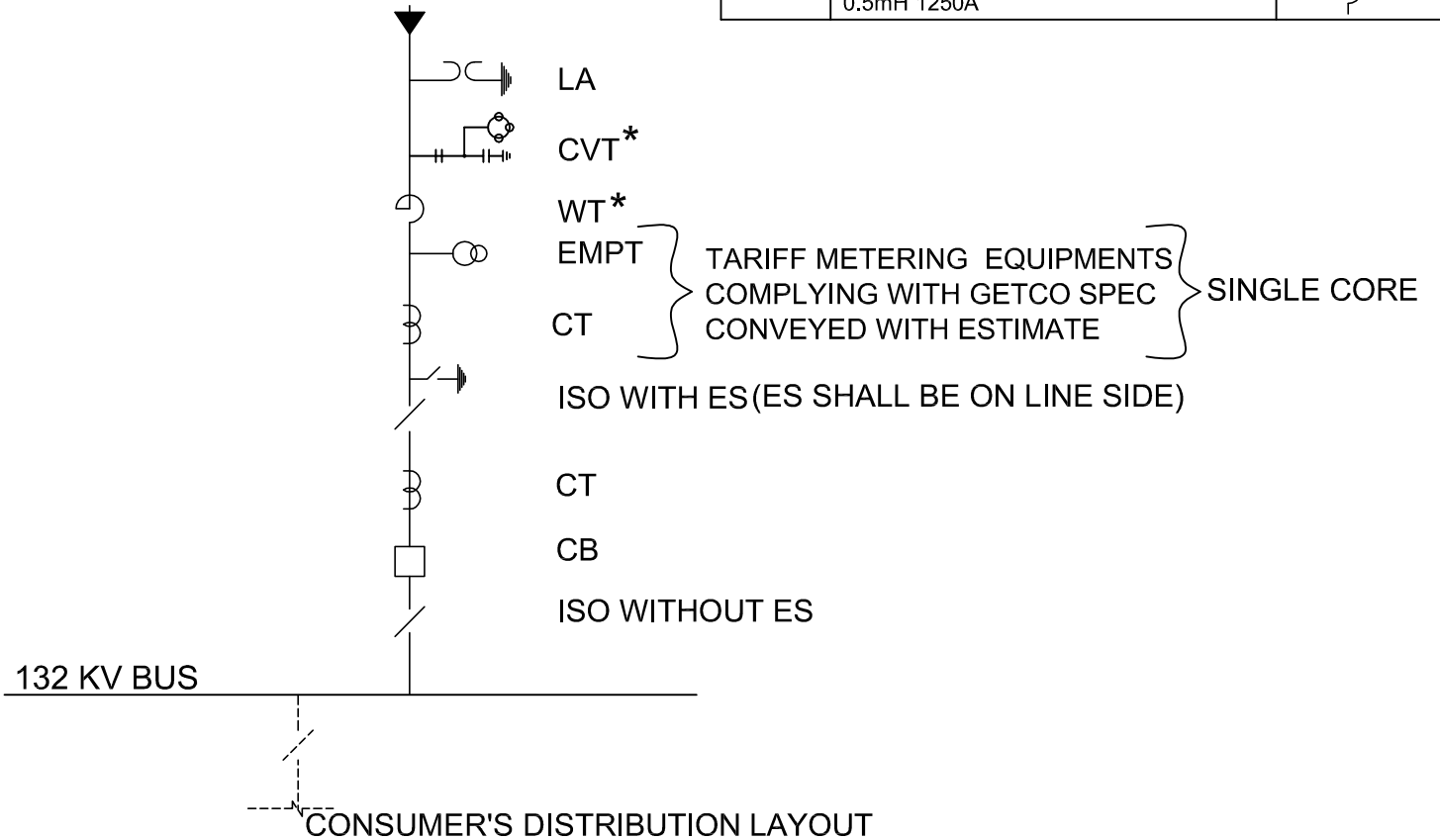


SR. NO.	ITEM DESCRIPTION	SYMBOL
	FOR 132 KV	
1	LIGHTNING ARRESTOR (1-ph) 120kV, 10KA, CL-3	
2	HDB ISOLATOR WITH 1 EARTH SWITCH 1600A, 40KA ,3SEC.	
3	CURRENT TRANSFORMER (1-ph) 400-200/1-1-1A,40 KA ,3SEC	
4	CIRCUIT BREAKER 1600A, 40kA, 3 SEC. (3,ph)	
5	HDB /HCB ISOLATOR WITHOUT EARTH SWITCH 1600A, 40kA, 3 SEC.	
6	CAPACITOR VOLTAGE TRANSFORMER (1-ph) 4400 PF, $\frac{220KV}{\sqrt{3}} / \frac{110V}{\sqrt{3}} - \frac{110V}{\sqrt{3}}$	
7	WAVE TRAP (1-ph) 0.5mH 1250A	

132KV INCOMING  
LINE



**NOTE:**

- LAYOUT PLAN & SECTIONAL VIEW SHALL BE DRAWN ACCORDINGLY. PRINCIPLE APPROVAL OF SLD, PLAN , SECTION & PROTECTION SLD SHALL HAVE TO BE OBTAINED FROM GETCO
- \*CVT & WT ARE TO BE PROVIDED FOR  
-S/C LINE :-R & Y PHASE  
-D/C LINE :- R PHASE OF EACH LINE
- ALL THE EQUIPMENTS RELATED TO THE ESTIMATE SERVED SHALL BE PROCURED AS PER GETCO SPECIFICATIONS.THE INDIVIDUAL APPROVAL FOR EACH EQUIPMENT SHALL HAVE TO BE OBTAINED FROM GETCO, IF CONSUMER IS DEVIATING FROM STANDARD SPECIFICATIONS.

	<b>GUJARAT ENERGY TRANSMISSION CORPN.LTD.</b>
	S.P.VIDYUT BHAVAN, RACE COURSE, VADODARA - 390 007

		STANDARD SINGLE LINE DIAGRAM OF 132 KV SUB-STATION AT CONSUMER END OF EHT DEPOSIT SCHEME			
REV:	DESCRIPTION:	DRAWN:	CHECKED:	APPD:	SIZE:
R1	AS PER SE(PLCC) COMMENT	D.K.P.	P.B.M.	EE(ENGG.) CE(ENGG.)	A4
R0	FIRST PREPERATION DT.05.01.2010	SCALE:	DATE:	DRG. NO:	SHEET: REV:
		N.T.S.	19.01.2010	GETCO / E / 1S-STD / P-002A	1 OF 1 R1